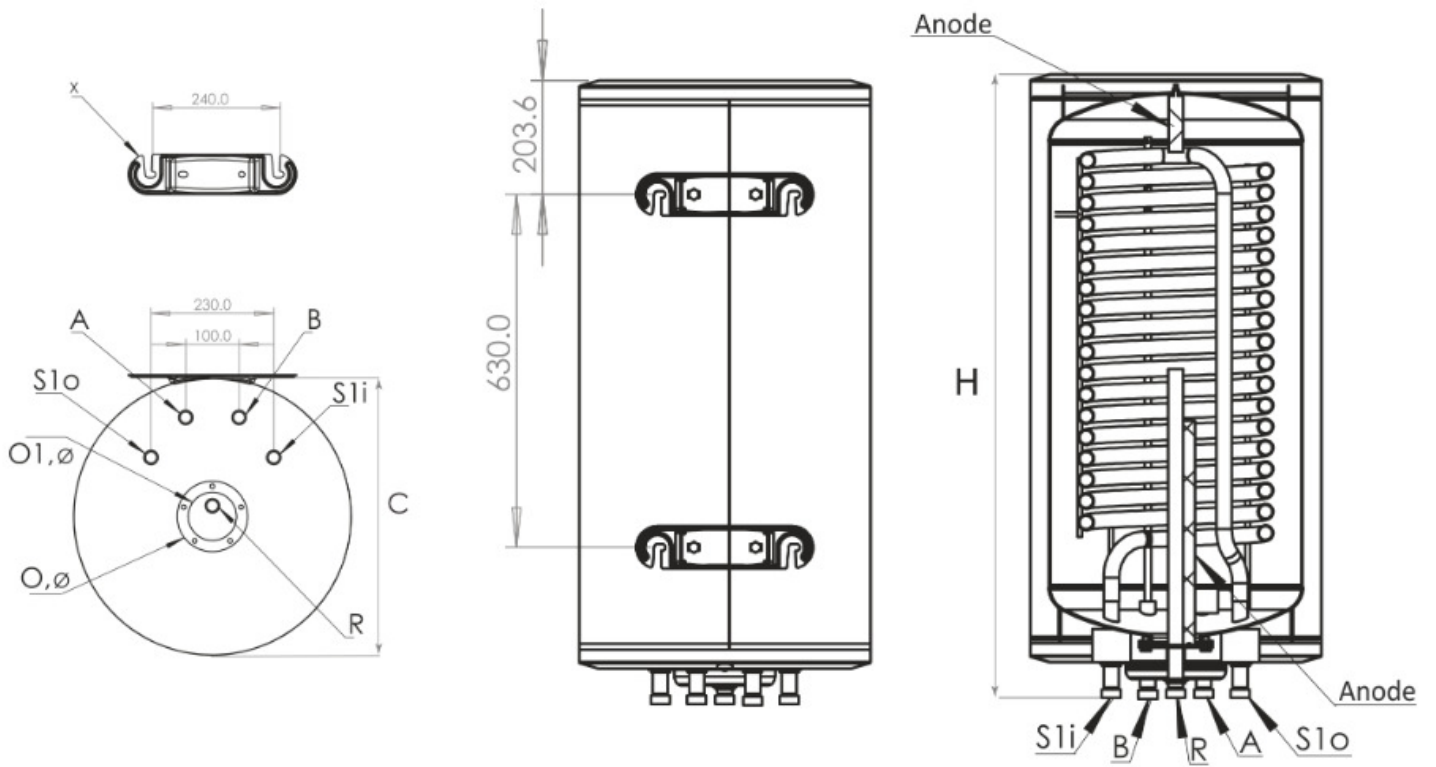


TECHNICAL CHARACTERISTICS



		BB 150 V/S1-2L
Capacity	L	150
Height	H, mm	1110
Diameter	D, mm	Ø 520
Insulation	mm	32 mm hard PPU
Work pressure / max. temperature	MPa(bar)/OC	0.8(8)/95
Test pressure tank	MPa(bar)	1.3(13)
Weight	kg	74
Inlet cold water	A, mm	Rp 3/4"
Outlet hot water	B, mm	Rp 3/4"
Work pressure / max. temperature of the coil S1	MPa(bar)/OC	1.6(16)/110
Test pressure coil S1	MPa(bar)	2.5(25)
Capacity coil S1	L	8.67
Heating surface coil S1	m ²	1.8
Inlet coil	S1i,mm, Rp 3/4"	0
Outlet coil	S1o,mm, Rp3/4"	0
Recirculation	R, mm, Rp3/4"	0
Continuous power DIN 4708; 80°C/60°C/45°C, S1	kW (m3/h)	32(0.37)
NL – a power coefficient 60°C, S1	NL 60°C	3.1
Pressure loss Δp , S1	Δp , mbar	72
Inspection opening / Flange	O, O1, Ø, mm	132/90
Anode	P1, P2	P/P
Wall prop / Distance between both stands	X1, mm	630